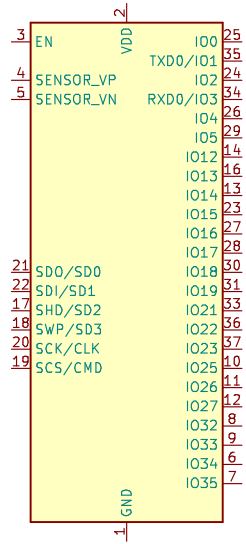
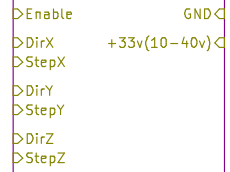


U1
ESP32-WROOM-32D



Sheet: Motor and driver



File: MotorDriver.sch

Sheet: /
File: CRA4_GRBL_ESP32.sch

Title:

Size: A4

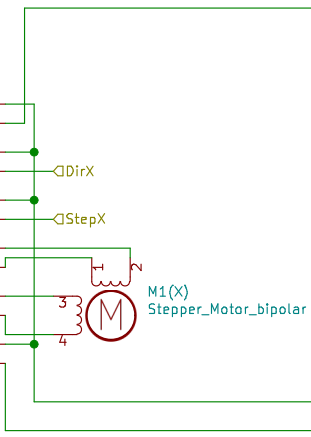
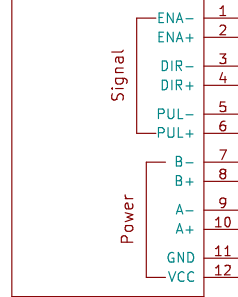
Date:

Rev:

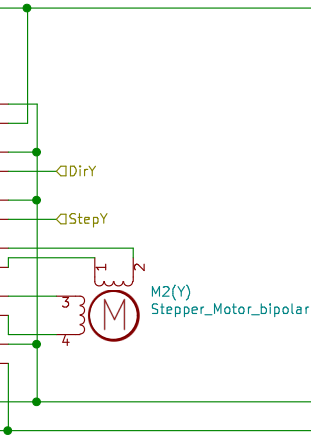
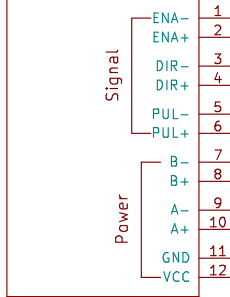
KiCad E.D.A. kicad 5.1.4-e60b26684ubuntu18.04.1

Id: 1/2

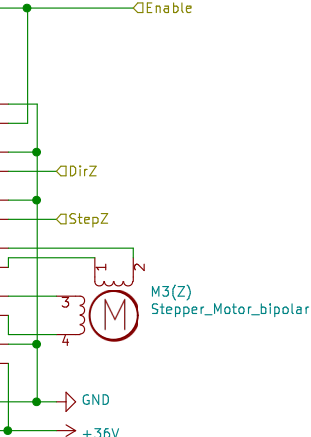
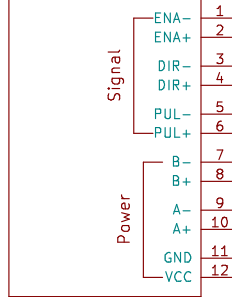
U1(X)
TB6600StyleMotorDriver



U2(Y)
TB6600StyleMotorDriver



U3(Z)
TB6600StyleMotorDriver



Sheet: /Motor and driver/
File: MotorDriver.sch

Title:

Size: A4 Date:
KiCad E.D.A. kicad 5.1.4-e60b26884ubuntu18.04.1

Rev:
Id: 2/2