

Clement Boesmier
Aladin El Fene

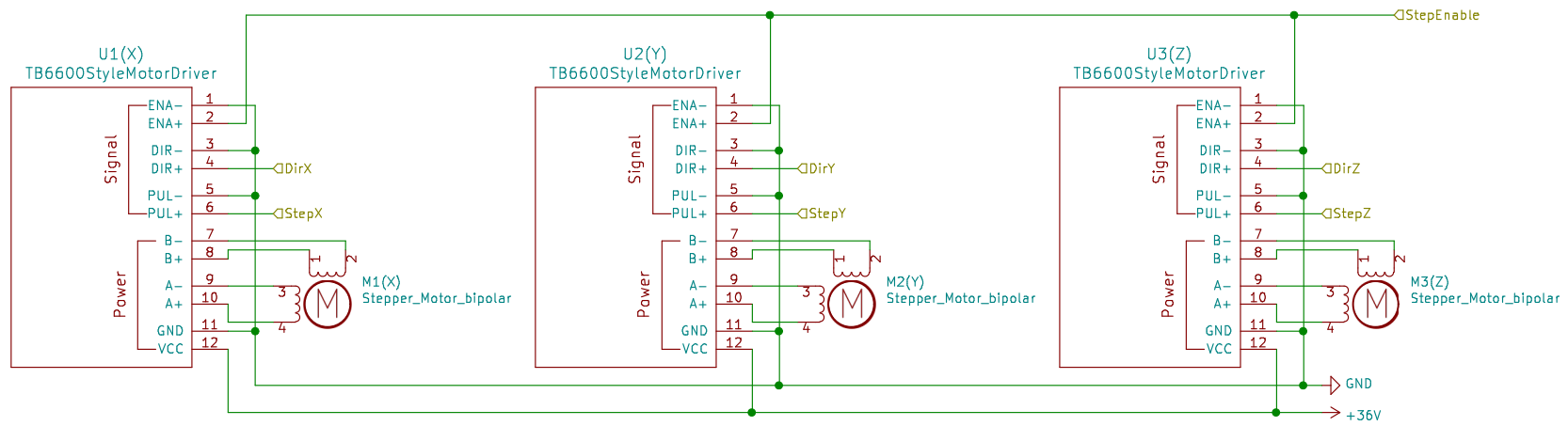
LabOuest

Sheet: /
File: CRA4_GRBL_ESP32.sch

Title: CRA4_GRBL_ESP32

Size: A4 Date: 2019-08-28
KiCad E.D.A. kicad 5.1.4-e60b26684ubuntu18.04.1

Rev: 0.1
Id: 1/3



Clement Boesmier
Aladin El Fene

LabOuest

Sheet: /Motor and driver/
File: MotorDriver.sch

Title: CRA4_GRBL_ESP32

Size: A4 Date: 2019-08-28
KiCad E.D.A. kicad 5.1.4-e60b26684ubuntu18.04.1

Rev: 0.1
Id: 2/3

	1	2	3	4	5	6
A						A
B						B
C						C
D						D
	1	2	3	4	5	6

Clement Boesmier
Aladin El Fene

LabOuest

Sheet: /SpindleRelayRedLedSolenoid/
File: Spindle.sch

Title: CRA4_GRBL_ESP32

Size: A4	Date: 2019-08-28	Rev: 0.1
KiCad E.D.A. kicad 5.1.4-e60b26684ubuntu18.04.1		Id: 3/3